

**THE INSTRUMENTS MANUFACTURING COMPANY**

**2  
N  
D**



**Certified Company  
Established in  
1978**

**E  
D  
H  
T  
H  
O  
N**



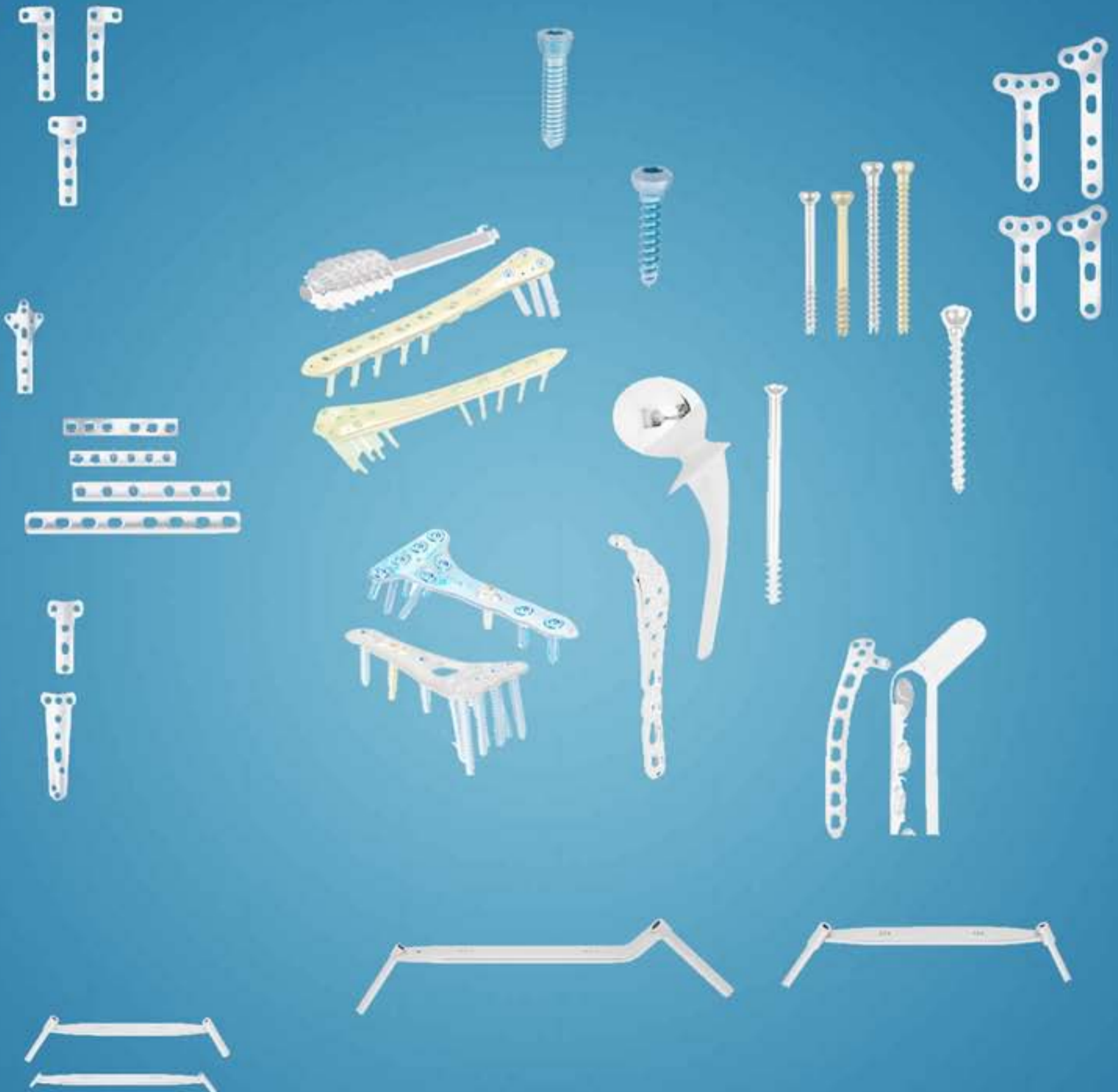
**ISO 13485**

**AZ-SURGERY**

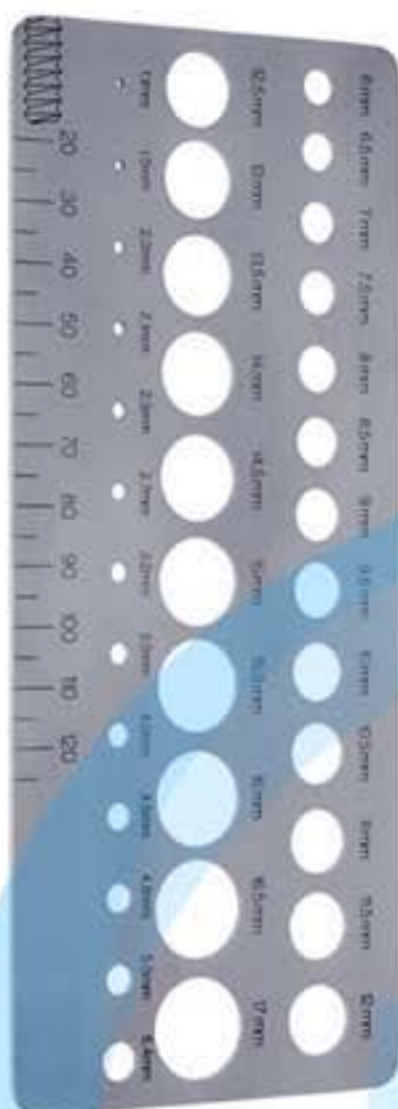
Orthopädische Implantate  
Orthopedic Implants  
Implants Orthopédiques  
Implantes Ortopedicos  
Impianti Ortopedici

# 27

## 312 - 325







**MEASURING GAUGE FOR NAILS**  
 27-1430  
 Sheet



**TROCAR FOR NAILS**  
 27-1432 = 1 To 3.5mm  
 27-1433 = 3.5 To 5mm



**SLOTTED HAMMER**  
 27-1435  
 Solid



**SLOTTED HAMMER**  
 27-1437  
 Solid



**SHARP HOOK**  
 27-1439  
 Solid



**DEPTH GAUGE**  
 27-1440  
 For Screws  
 4.5mm And 6.5mm



**DEPTH GAUGE**  
 27-1442  
 For Screws  
 1.5mm And 2mm



**NAIL FEELER**  
 27-1444

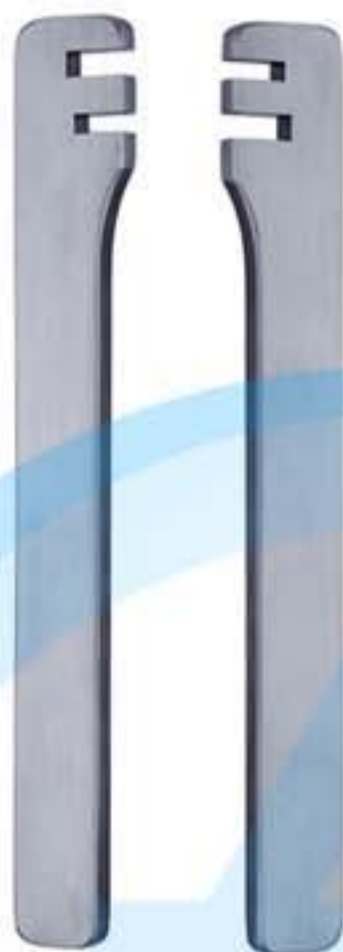


**HOOK AWL**  
 27-1446 = 15mm  
 27-1447 = 20mm





**BENDING IRON**  
 13cm  
 27-1449  
 For 1.5/2mm



**BENDING IRON**  
 14cm  
 For Small Plates To Be  
 Used As A Pair  
 Left And Right  
 27-1451 = Set  
 27-1452 = Left  
 27-1453 = Right



**BENDING IRON**  
 24cm  
 Handle Holes Measures  
 3.5, 5, 6.5, 8mm  
 27-1455  
 Standard Plate  
 For 5/7mm Plates



**BENDING IRON**  
 24.5cm  
 For Standard Plates  
 27-1457  
 Beak Opening  
 4 And 6mm  
 27-1458  
 Beak Opening  
 6 And 8mm



**BENDING IRON**  
 No. 42  
 27-1460



**BENDING TEMPLATES**  
 27-1462 = 5 Holes  
 27-1463 = 7 Holes  
 27-1464 = 9 Holes



**BENDING IRON**  
 18cm  
 27-1466  
 Double Ended  
 For 4.5/5mm Plates



**BENDING IRON**  
 13cm Used In Pair  
 27-1468 = Right = For 4.76mm  
 27-1469 = Right = For 4.76mm  
 27-1470 = Right = For 6.35mm  
 27-1471 = Right = For 6.35mm





**ROD HOLDING FORCEPS**

Straight

27-1473 = For Rod 3mm

27-1474 = For Rod 4mm

27-1475 = For Rod 5mm

27-1476 = For Rod 6mm

20cm



**ROD HOLDING FORCEPS**

Curved Angled

27-1478 = For Rod 3mm

27-1479 = For Rod 4mm

27-1480 = For Rod 5mm

27-1481 = For Rod 6mm

20cm



**ROD HOLDING FORCEPS**

Straight Narrow Nose 5.5mm Jaw

27-1483 = For Rod 3mm

27-1484 = For Rod 4mm

27-1485 = For Rod 5mm

27-1486 = For Rod 6mm

20cm



**ROD HOLDING FORCEPS**

Straight Short Nose

27-1488 = For Rod 3mm

27-1489 = For Rod 4mm

27-1490 = For Rod 5mm

27-1491 = For Rod 6mm

20cm

AZ Wisdom Wise Industries





**WIRE TWISTER**  
 Straight Jaw Wide  
 27-1493 = 15.5cm  
 27-1494 = 18cm



**WIRE TWISTER**  
 Round Jaw Wide  
 27-1496 = 15.5cm  
 27-1497 = 18cm



**WIRE TWISTER**  
 Straight Jaw Wide  
 27-1499 = 15.5cm  
 27-1500 = 20cm



**BAUMGARTNER WIRE TWISTER**  
 Straight Jaw Wide  
 27-1502 = 20cm



**WIRE TWISTER**  
 Curved Jaw  
 27-1504 = 14.5cm



**CORWIN WIRE TWISTER**  
 27-1506 = 16cm



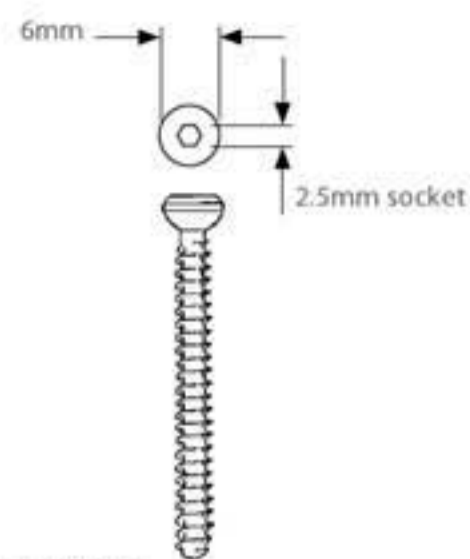
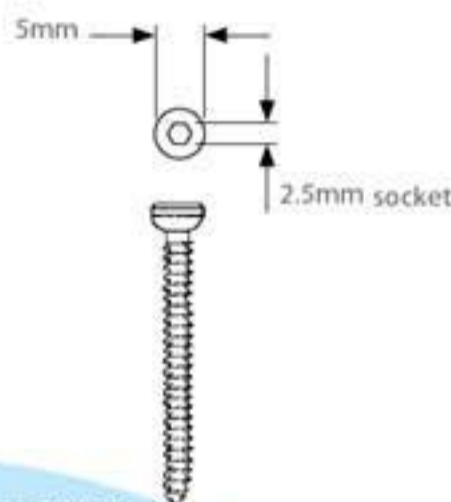
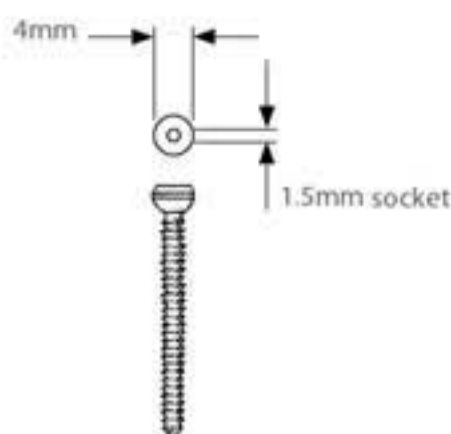
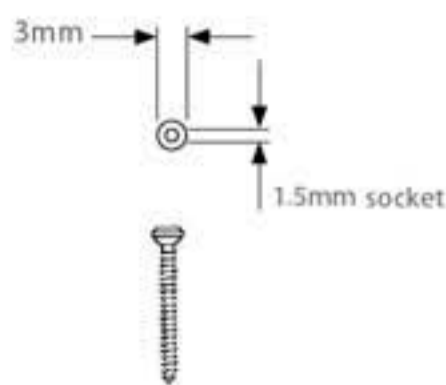
**BERRY WIRE TWISTER**  
 Heavy Pattern  
 27-1508 = 19cm



**WIRE TWISTER**  
 27-1510 = 18cm

AZ Wisdom Wise Industries





**1.5MM CORTICAL SCREWS**

Thread Diameter = 1.5mm  
 Hexagonal Socket = 1.5mm  
 Total Length

- 27-1512 = 6mm
- 27-1513 = 7mm
- 27-1514 = 8mm
- 27-1515 = 9mm
- 27-1516 = 10mm
- 27-1517 = 11mm
- 27-1518 = 12mm
- 27-1519 = 14mm
- 27-1520 = 16mm
- 27-1521 = 18mm
- 27-1522 = 20mm
- 27-1523 = 22mm

**2.0MM CORTICAL SCREWS**

Thread Diameter = 2.0mm  
 Hexagonal Socket = 1.5mm  
 Total Length

- 27-1525 = 6mm
- 27-1526 = 8mm
- 27-1527 = 10mm
- 27-1528 = 12mm
- 27-1529 = 14mm
- 27-1530 = 16mm
- 27-1531 = 18mm
- 27-1532 = 20mm
- 27-1533 = 22mm

**2.7MM CORTICAL SCREWS**

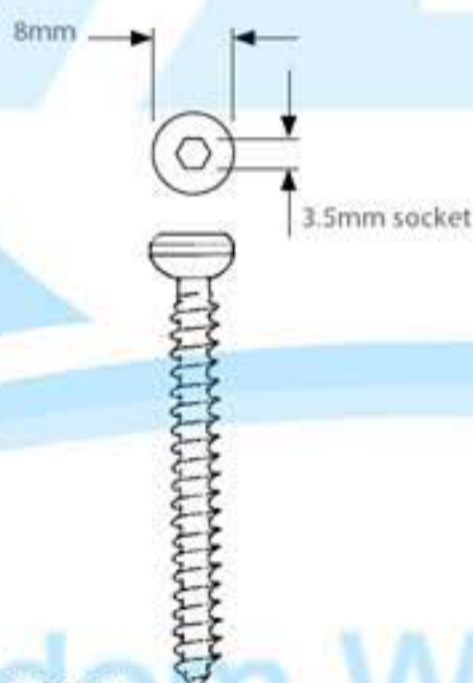
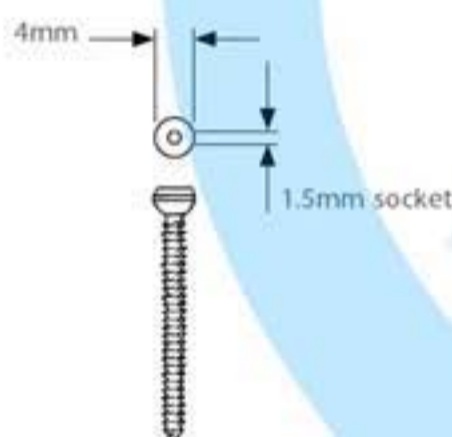
Thread Diameter = 2.7mm  
 Hexagonal Socket = 2.5mm  
 Core Diameter = 1.9mm  
 Head Diameter = 5.0mm  
 Total Length

- 27-1545 = 6mm
- 27-1546 = 8mm
- 27-1547 = 10mm
- 27-1548 = 12mm
- 27-1549 = 14mm
- 27-1550 = 16mm
- 27-1551 = 18mm
- 27-1552 = 20mm
- 27-1553 = 22mm
- 27-1554 = 24mm
- 27-1555 = 26mm
- 27-1556 = 28mm
- 27-1557 = 30mm

**3.5MM CORTICAL SCREWS**

Thread Diameter = 3.5mm  
 Pitch = 1.25mm (Fine Thread)  
 Hexagonal Socket = 2.5mm  
 Core Diameter = 2.4mm  
 Head Diameter = 6.0mm  
 Total Length

- 27-1559 = 10mm
- 27-1560 = 12mm
- 27-1561 = 14mm
- 27-1562 = 16mm
- 27-1563 = 18mm
- 27-1564 = 20mm
- 27-1565 = 22mm
- 27-1566 = 24mm
- 27-1567 = 26mm
- 27-1568 = 28mm
- 27-1569 = 30mm
- 27-1570 = 32mm
- 27-1571 = 34mm
- 27-1572 = 36mm
- 27-1573 = 38mm
- 27-1574 = 40mm
- 27-1575 = 45mm
- 27-1576 = 50mm



**2.4MM CORTICAL SCREWS**

Thread Diameter = 2.4mm  
 Hexagonal Socket = 1.5mm  
 Total Length

- 27-1535 = 6mm
- 27-1536 = 8mm
- 27-1537 = 10mm
- 27-1538 = 12mm
- 27-1539 = 14mm
- 27-1540 = 16mm
- 27-1541 = 18mm
- 27-1542 = 20mm
- 27-1543 = 22mm

**4.5MM CORTICAL SCREWS**

Fully Threaded  
 Thread Diameter = 4.5mm  
 Hexagonal Socket = 3.5mm  
 Total Length

- 27-1578 = 14mm
- 27-1579 = 16mm
- 27-1580 = 18mm
- 27-1581 = 20mm
- 27-1582 = 22mm
- 27-1583 = 24mm
- 27-1584 = 26mm
- 27-1585 = 28mm
- 27-1586 = 30mm
- 27-1587 = 32mm
- 27-1588 = 34mm
- 27-1589 = 36mm
- 27-1590 = 38mm
- 27-1591 = 40mm
- 27-1592 = 42mm
- 27-1593 = 44mm
- 27-1594 = 46mm
- 27-1595 = 48mm
- 27-1596 = 50mm
- 27-1597 = 52mm
- 27-1598 = 54mm
- 27-1599 = 56mm
- 27-1600 = 58mm
- 27-1601 = 60mm
- 27-1602 = 62mm
- 27-1603 = 64mm
- 27-1604 = 66mm
- 27-1605 = 68mm
- 27-1606 = 70mm



**HEXAGONAL ALLEN KEY**

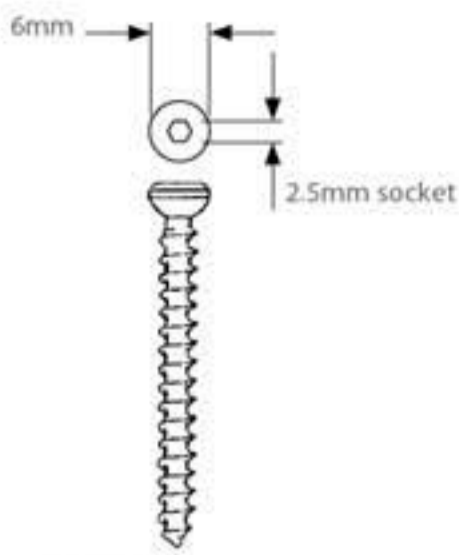
- 27-1608 = 1.5mm
- 27-1609 = 2.5mm
- 27-1610 = 3.5mm



**WASHERS**

- 27-1612 = 7mm
- 27-1613 = 11mm
- 27-1614 = 13mm





**4.0MM CANCELLOUS SCREWS**

Thread Diameter = 1.5mm  
 Pitch = 1.75 (Course Thread)  
 Hexagonal Socket = 2.5mm  
 Core Diameter = 1.9mm  
 Head Diameter = 6.0mm  
 Shaft Diameter = 2.3mm

Total Length

- 27-1616 = 10mm
- 27-1617 = 12mm
- 27-1618 = 14mm
- 27-1619 = 16mm
- 27-1620 = 18mm
- 27-1621 = 20mm
- 27-1622 = 22mm
- 27-1623 = 24mm
- 27-1624 = 26mm
- 27-1625 = 28mm
- 27-1626 = 30mm
- 27-1627 = 32mm
- 27-1628 = 35mm
- 27-1629 = 40mm
- 27-1630 = 45mm
- 27-1631 = 50mm
- 27-1632 = 55mm
- 27-1633 = 60mm

**4.0MM CANCELLOUS SCREWS**

Partially Threaded  
 Thread Diameter = 4.0mm  
 Hexagonal Socket = 2.5mm  
 Core Diameter = 1.9mm  
 Head Diameter = 6.0mm  
 Shaft Diameter = 2.4mm

Total Length

- 27-1635 = 10mm
- 27-1636 = 12mm
- 27-1637 = 14mm
- 27-1638 = 16mm
- 27-1639 = 18mm
- 27-1640 = 20mm
- 27-1641 = 22mm
- 27-1642 = 24mm
- 27-1643 = 26mm
- 27-1644 = 28mm
- 27-1645 = 30mm
- 27-1646 = 35mm
- 27-1647 = 40mm
- 27-1648 = 45mm
- 27-1649 = 50mm
- 27-1650 = 55mm
- 27-1651 = 60mm



16mm thread length



32mm thread length

**6.5MM CANCELLOUS SCREWS**

Partially Thread = 16mm  
 Thread Diameter = 6.5mm  
 Hexagonal Socket = 3.5mm  
 Shaft Diameter = 4.5mm

Total Length

- 27-1653 = 30mm
- 27-1654 = 35mm
- 27-1655 = 40mm
- 27-1656 = 45mm
- 27-1657 = 50mm
- 27-1658 = 55mm
- 27-1659 = 60mm
- 27-1660 = 65mm
- 27-1661 = 70mm
- 27-1662 = 75mm
- 27-1663 = 80mm
- 27-1664 = 85mm
- 27-1665 = 90mm
- 27-1666 = 95mm
- 27-1667 = 100mm
- 27-1668 = 105mm
- 27-1669 = 110mm

**6.5MM CANCELLOUS SCREWS**

Partially Thread = 32mm  
 Thread Diameter = 6.5mm  
 Hexagonal Socket = 3.5mm  
 Shaft Diameter = 4.5mm

Total Length

- 27-1671 = 40mm
- 27-1672 = 45mm
- 27-1673 = 50mm
- 27-1674 = 55mm
- 27-1675 = 60mm
- 27-1676 = 65mm
- 27-1677 = 70mm
- 27-1678 = 75mm
- 27-1679 = 80mm
- 27-1680 = 85mm
- 27-1681 = 90mm
- 27-1682 = 95mm
- 27-1683 = 100mm
- 27-1684 = 105mm
- 27-1685 = 110mm

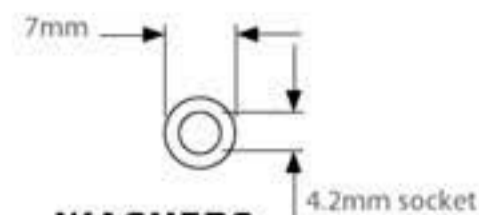


Total Length

- 27-1687 = 20mm
- 27-1688 = 25mm
- 27-1689 = 30mm
- 27-1690 = 35mm
- 27-1691 = 40mm
- 27-1692 = 45mm
- 27-1693 = 50mm
- 27-1694 = 55mm
- 27-1695 = 60mm
- 27-1696 = 65mm
- 27-1697 = 70mm
- 27-1698 = 75mm
- 27-1699 = 80mm
- 27-1700 = 85mm
- 27-1701 = 90mm
- 27-1702 = 95mm
- 27-1703 = 100mm
- 27-1704 = 105mm
- 27-1705 = 110mm

**6.5MM CANCELLOUS SCREWS**

Fully Threaded  
 Thread Diameter = 6.5mm  
 Hexagonal Socket = 3.5mm



**WASHERS**

For 4mm Cancellous Screws  
 27-1707 = 7mm





**1.5MM CORTEX SELF - TAPPING SCREWS**

Thread Diameter = 1.5mm  
 Hexagonal Socket = 1.5mm  
 Total Length

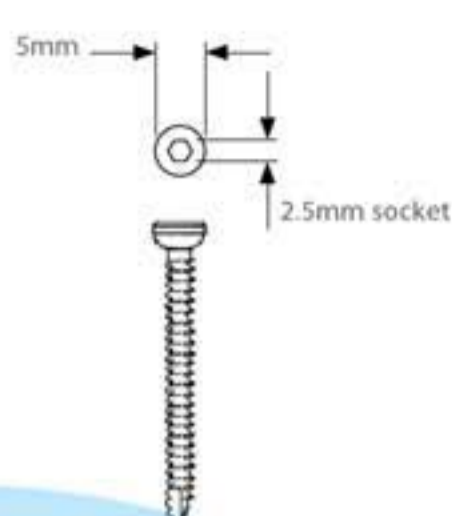
- 27-1709 = 6mm
- 27-1710 = 7mm
- 27-1711 = 8mm
- 27-1712 = 9mm
- 27-1713 = 10mm
- 27-1714 = 11mm
- 27-1715 = 12mm
- 27-1716 = 14mm
- 27-1717 = 16mm
- 27-1718 = 18mm
- 27-1719 = 20mm
- 27-1720 = 22mm



**2.0MM CORTEX SELF - TAPPING SCREWS**

Thread Diameter = 2.0mm  
 Hexagonal Socket = 1.5mm  
 Total Length

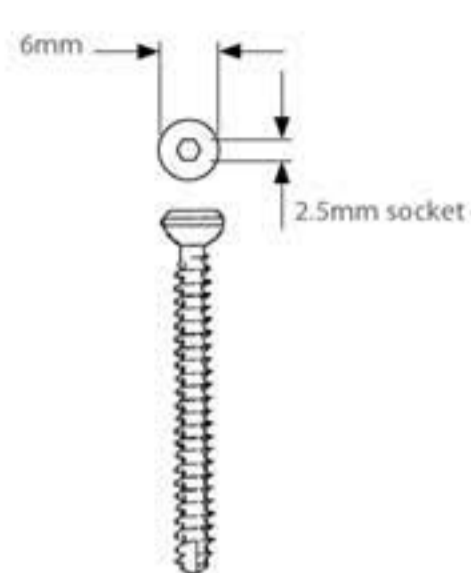
- 27-1722 = 6mm
- 27-1723 = 8mm
- 27-1724 = 10mm
- 27-1725 = 12mm
- 27-1726 = 14mm
- 27-1727 = 16mm
- 27-1728 = 18mm
- 27-1729 = 20mm
- 27-1730 = 22mm



**2.7MM CORTEX SELF - TAPPING SCREWS**

Thread Diameter = 2.7mm  
 Hexagonal Socket = 2.5mm  
 Total Length

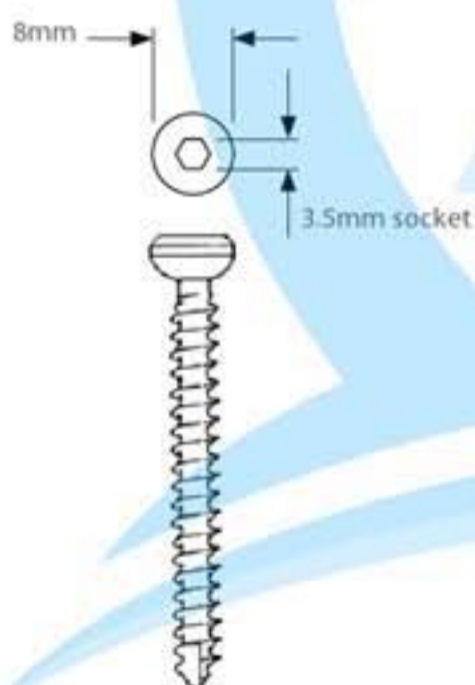
- 27-1732 = 6mm
- 27-1733 = 8mm
- 27-1734 = 10mm
- 27-1735 = 12mm
- 27-1736 = 14mm
- 27-1737 = 16mm
- 27-1738 = 18mm
- 27-1739 = 20mm
- 27-1740 = 22mm
- 27-1741 = 24mm
- 27-1742 = 26mm
- 27-1743 = 28mm
- 27-1744 = 30mm
- 27-1745 = 32mm
- 27-1746 = 34mm
- 27-1747 = 40mm



**3.5MM CORTEX SELF - TAPPING SCREWS**

Thread Diameter = 3.5mm  
 Pitch = 1.25mm (Fine Thread)  
 Hexagonal Socket = 2.5mm  
 Total Length

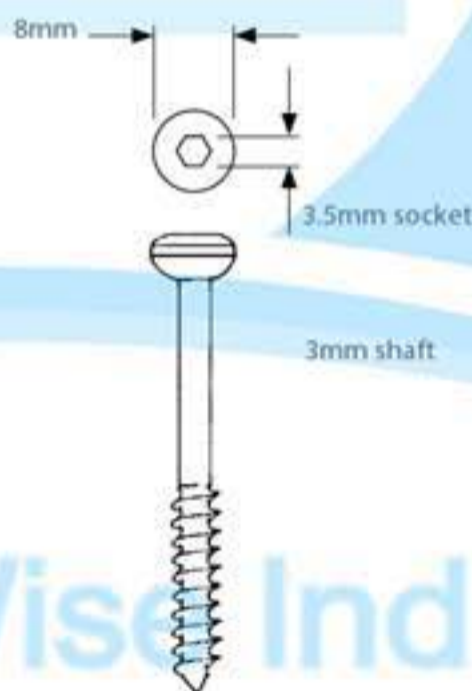
- 27-1749 = 10mm
- 27-1750 = 12mm
- 27-1751 = 14mm
- 27-1752 = 16mm
- 27-1753 = 18mm
- 27-1754 = 20mm
- 27-1755 = 22mm
- 27-1756 = 24mm
- 27-1757 = 26mm
- 27-1758 = 28mm
- 27-1759 = 30mm
- 27-1760 = 32mm
- 27-1761 = 34mm
- 27-1762 = 36mm
- 27-1763 = 38mm
- 27-1764 = 40mm
- 27-1765 = 45mm
- 27-1766 = 50mm
- 27-1767 = 55mm
- 27-1768 = 60mm
- 27-1769 = 65mm
- 27-1770 = 70mm



**4.5MM CORTEX SELF - TAPPING SCREWS**

Fully Threaded  
 Thread Diameter = 4.5mm  
 Hexagonal Socket = 3.5mm  
 Total Length

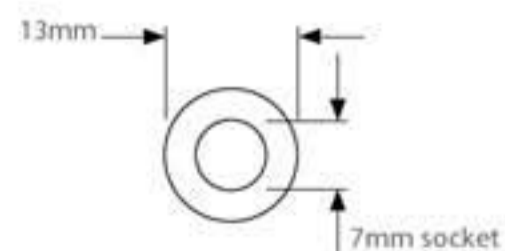
- |                |                |
|----------------|----------------|
| 27-1772 = 14mm | 27-1787 = 44mm |
| 27-1773 = 16mm | 27-1788 = 46mm |
| 27-1774 = 18mm | 27-1789 = 48mm |
| 27-1775 = 20mm | 27-1790 = 50mm |
| 27-1776 = 22mm | 27-1791 = 52mm |
| 27-1777 = 24mm | 27-1792 = 54mm |
| 27-1778 = 26mm | 27-1793 = 56mm |
| 27-1779 = 28mm | 27-1794 = 58mm |
| 27-1780 = 30mm | 27-1795 = 60mm |
| 27-1781 = 32mm | 27-1796 = 62mm |
| 27-1782 = 34mm | 27-1797 = 64mm |
| 27-1783 = 36mm | 27-1798 = 66mm |
| 27-1784 = 38mm | 27-1799 = 68mm |
| 27-1785 = 40mm | 27-1800 = 70mm |
| 27-1786 = 42mm |                |



**4.5MM MALLEOLAR SCREWS**

Partially Threaded  
 Thread Diameter = 4.5mm  
 Hexagonal Socket = 3.5mm  
 Shaft Diameter = 3mm  
 Total Length

- 27-1802 = 25mm
- 27-1803 = 30mm
- 27-1804 = 35mm
- 27-1805 = 40mm
- 27-1806 = 45mm
- 27-1807 = 50mm
- 27-1808 = 55mm
- 27-1809 = 60mm
- 27-1810 = 65mm
- 27-1811 = 70mm



**WASHER**

For 4.5 Malleolar Screws And 6.5mm Cancellous Screws  
 27-1813 = 13mm





**DRILL BITS**

15cm  
27-1815 = 3.5mm  
27-1816 = 4.0mm  
27-1817 = 4.8mm



**DRILL BITS  
AO SHAFT**

With End To Fit Quick Coupling  
27-1825 = 3.2mm  
27-1826 = 4.5mm



**DRILL BITS**

15cm  
27-1818 = 5.0mm



**DRILL BITS**

15cm  
27-1827 = 2.7mm  
27-1828 = 3.5mm  
27-1829 = 4.0mm  
27-1830 = 4.8mm



**DRILL BITS  
AO SHAFT**

27-1819 = 2.0mm  
27-1820 = 2.5mm



**DRILL BITS  
AO SHAFT**

With End To Fit Quick Coupling  
27-1821 = 1.1mm  
27-1822 = 1.5mm  
27-1823 = 2.0mm  
27-1824 = 2.7mm



**DRILL BITS**

Extra Long  
27-1832 = 3.5mm  
27-1833 = 4.5mm



**DRILL TAPS**

27-1835 = 6.5mm



**DRILL TAPS**

27-1837 = 4.5mm



**DRILL TAPS**

27-1839 = 3.5mm / 1.25mm Pitch, Cortex  
27-1840 = 3.5mm / 1.75mm Pitch Cancellous  
27-1841 = 4.0mm / 1.75mm Pitch



**TAP HANDLE**

With Quick Coupling  
27-1849

AZ Wisdom Wise Industries



**TROCARS**

27-1843 = 4.0mm x 240mm



**GUIDE PIN**

Tip Threaded  
27-1845 = 3.2mm x 305mm



**GUIDE ROD**

For Cannulated Screws  
27-1847 = 1.8mm x 350mm





**MINI DRILL GUIDE SLEEVE**

**27-1851** = For 1.1mm And 1.5mm Drill Bits  
**27-1852** = For 1.5mm And 2.0mm Drill Bits



**DRILL GUIDE**

**27-1867** = For Tap 2.7mm And 1.0mm Drill Sleeves



**DRILL GUIDE**

**27-1854** = Tap 3.5mm And 2.5mm Drill Bits  
**27-1855** = For 2.7mm And 2.0mm Drill Bits



**DRILL GUIDE**

**27-1869** = For Tap 3.5mm And 2.5mm Drill Sleeves



**DRILL GUIDE AND DRILL SLEEVE**

**27-1857** = 2.0mm Drill Bits



**NEUTRAL AND LOAD HIP DRILL GUIDE  
LONG**

**27-1871** = 3.2mm



**NEUTRAL AND LOAD DRILL GUIDE**

3.5mm  
**27-1859** = 3.5mm Cortex Screws  
With Fine Thread  
Used With 2.5mm Drill Guide



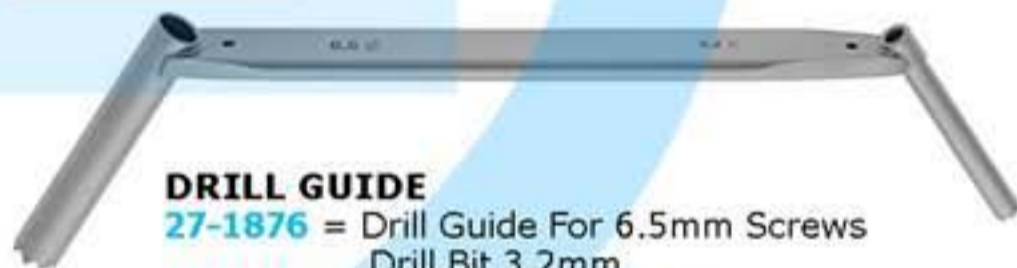
**DRILL GUIDE**

**27-1873** = For Tap Sleeve 4.5mm And 3.2mm Drill Sleeve  
**27-1874** = Drill Guide For 4.5mm Screws  
Drill Bit 4.5mm And 3.2mm



**DRILL GUIDE TAP SLEEVE**

3.5mm  
**27-1861** = Also For Use As 3.2mm Drill Guide



**DRILL GUIDE**

**27-1876** = Drill Guide For 6.5mm Screws  
Drill Bit 3.2mm



**DRILL GUIDE TAP SLEEVE**

4.5mm  
**27-1863**



**DRILL GUIDE SLEEVE FOR ROUND HOLE PLATES**

**27-1865**



### KRISCHNER WIRES

Trocar/Round

27-1878 = 1.0mm = 300mm  
 27-1879 = 1.2mm = 300mm  
 27-1880 = 1.4mm = 300mm  
 27-1881 = 1.5mm = 300mm  
 27-1882 = 1.6mm = 300mm  
 27-1883 = 1.8mm = 300mm  
 27-1884 = 2.0mm = 300mm  
 27-1885 = 2.2mm = 300mm  
 27-1886 = 2.5mm = 300mm  
 27-1887 = 3.0mm = 300mm  
 27-1888 = 5.0mm = 300mm

### KRISCHNER WIRES

Trocar/Trocar

27-1890 = 1.0mm = 300mm  
 27-1891 = 1.2mm = 300mm  
 27-1892 = 1.4mm = 300mm  
 27-1893 = 1.5mm = 300mm  
 27-1894 = 1.6mm = 300mm  
 27-1895 = 1.8mm = 300mm  
 27-1896 = 2.0mm = 300mm  
 27-1897 = 2.2mm = 300mm  
 27-1898 = 2.5mm = 300mm  
 27-1899 = 3.0mm = 300mm  
 27-1900 = 5.0mm = 300mm

### KRISCHNER WIRES

Trocar/Round

27-1902 = 0.8mm = 70mm  
 27-1903 = 1.0mm = 70mm  
 27-1904 = 1.5mm = 70mm  
 27-1905 = 2.5mm = 70mm

### KRISCHNER WIRES

Trocar/Round

27-1907 = 0.8mm = 150mm  
 27-1908 = 1.0mm = 150mm  
 27-1909 = 1.2mm = 150mm  
 27-1910 = 1.4mm = 150mm  
 27-1911 = 1.5mm = 150mm  
 27-1912 = 1.6mm = 150mm  
 27-1913 = 1.8mm = 150mm  
 27-1914 = 2.0mm = 150mm  
 27-1915 = 2.2mm = 150mm  
 27-1916 = 2.5mm = 150mm  
 27-1917 = 3.0mm = 150mm

### KRISCHNER WIRES

Trocar/Trocar

27-1919 = 0.8mm = 150mm  
 27-1920 = 1.0mm = 150mm  
 27-1921 = 1.2mm = 150mm  
 27-1922 = 1.4mm = 150mm  
 27-1923 = 1.5mm = 150mm  
 27-1924 = 1.6mm = 150mm  
 27-1925 = 1.8mm = 150mm  
 27-1926 = 2.0mm = 150mm  
 27-1927 = 2.2mm = 150mm  
 27-1928 = 2.5mm = 150mm  
 27-1929 = 3.0mm = 150mm

### KRISCHNER WIRES

Trocar/Round/Thread

	Dia.	Length	Thread
27-1931	1.6mm	150mm	5mm
27-1932	1.6mm	150mm	15mm
27-1933	2.0mm	150mm	15mm
27-1934	2.0mm	200mm	15mm
27-1935	2.5mm	200mm	15mm
27-1936	2.5mm	230mm	20mm

### STEINMANN PINS

Trocar/Round 3.5mm

27-1938 = 120mm  
 27-1939 = 150mm  
 27-1940 = 180mm  
 27-1941 = 200mm  
 27-1942 = 250mm  
 27-1943 = 300mm

Trocar/Triangular  
 3.5mm

27-1944 = 120mm  
 27-1945 = 150mm  
 27-1946 = 180mm  
 27-1947 = 200mm  
 27-1948 = 250mm  
 27-1949 = 300mm

### STEINMANN PINS

Trocar/Round 4.0mm

27-1951 = 120mm  
 27-1952 = 150mm  
 27-1953 = 180mm  
 27-1954 = 200mm  
 27-1955 = 250mm  
 27-1956 = 300mm

Trocar/Triangular  
 4.0mm

27-1957 = 120mm  
 27-1958 = 150mm  
 27-1959 = 180mm  
 27-1960 = 200mm  
 27-1961 = 250mm  
 27-1962 = 300mm

### STEINMANN PINS

Trocar/Round 4.5mm

27-1964 = 120mm  
 27-1965 = 150mm  
 27-1966 = 180mm  
 27-1967 = 200mm  
 27-1968 = 250mm  
 27-1969 = 300mm

Trocar/Triangular  
 4.5mm

27-1970 = 120mm  
 27-1971 = 150mm  
 27-1972 = 180mm  
 27-1973 = 200mm  
 27-1974 = 250mm  
 27-1975 = 300mm

### STEINMANN PINS

Trocar/Round 5.0mm

27-1977 = 120mm  
 27-1978 = 150mm  
 27-1979 = 180mm  
 27-1980 = 200mm  
 27-1981 = 250mm  
 27-1982 = 300mm

Trocar/Triangular  
 5.0mm

27-1983 = 120mm  
 27-1984 = 150mm  
 27-1985 = 180mm  
 27-1986 = 200mm  
 27-1987 = 250mm  
 27-1988 = 300mm

### STEINMANN PINS

Trocar/Round/Thread

Thread 0.5mm More than Pins Dia.

	Dia.	Length
27-1990	3.0mm	150mm
27-1991	3.0mm	180mm
27-1992	3.0mm	200mm
27-1993	3.0mm	230mm
27-1994	3.5mm	150mm
27-1995	3.5mm	180mm
27-1996	3.5mm	200mm
27-1997	3.5mm	230mm
27-1998	4.0mm	150mm
27-1999	4.0mm	180mm
27-2000	4.0mm	200mm
27-2001	4.0mm	230mm
27-2002	4.0mm	250mm
27-2003	4.5mm	150mm
27-2004	4.5mm	180mm
27-2005	4.5mm	200mm
27-2006	4.5mm	230mm
27-2007	4.5mm	250mm
27-2008	4.5mm	300mm
27-2009	5.0mm	150mm
27-2010	5.0mm	180mm
27-2011	5.0mm	200mm
27-2012	5.0mm	230mm
27-2013	5.0mm	250mm
27-2014	5.0mm	300mm

### SCHANZ SCREWS

Trocar/Round/Thread

	Dia.	Length	Thread Length
27-2016	3.0mm	60mm	20mm
27-2017	3.0mm	80mm	20mm
27-2018	4.0mm	60mm	25mm
27-2019	4.0mm	100mm	25mm
27-2020	4.0mm	130mm	25mm
27-2021	4.0mm	170mm	25mm
27-2022	4.5mm	100mm	25mm
27-2023	4.5mm	120mm	50mm
27-2024	4.5mm	150mm	50mm
27-2025	4.5mm	170mm	50mm
27-2026	4.5mm	200mm	50mm
27-2027	4.5mm	250mm	50mm
27-2028	5.0mm	100mm	50mm
27-2029	5.0mm	125mm	50mm
27-2030	5.0mm	150mm	50mm
27-2031	5.0mm	170mm	50mm
27-2032	5.0mm	200mm	50mm
27-2033	5.0mm	250mm	50mm
27-2034	6.0mm	100mm	30mm
27-2035	6.0mm	150mm	50mm
27-2036	6.0mm	170mm	50mm
27-2037	6.0mm	200mm	50mm
27-2038	6.0mm	250mm	50mm





**MINI PLATES STRAIGHT**

Width = 5mm  
 Thickness = 1mm  
 Distance Between Holes = 6mm  
 Recommended Screws = 2mm Cortical

Length	No. Of Holes
27-2040 = 17mm = 3	
27-2041 = 23mm = 4	
27-2042 = 29mm = 5	
27-2043 = 35mm = 6	



27-2045 "L" Oblique Left  
 27-2046 "L" Oblique Right  
 27-2047 "L" Left  
 27-2048 "L" Right  
 27-2049 "T" Straight

**MINI L - AND T - PLATES**

Width = 11mm/5mm  
 Thickness = 1mm  
 Distance Between Holes = 6mm  
 Recommended Screws = 2mm Cortical

Length	No. Of Holes
27-2045 = 20mm = 4	
27-2046 = 20mm = 4	
27-2047 = 19mm = 4	
27-2048 = 19mm = 4	
27-2049 = 18mm = 4	



27-2051 "L" Oblique Left  
 27-2052 "L" Oblique Right



**T PLATES**  
 Width = 14mm/7mm  
 Thickness = 1mm  
 Recommended Screws = 2.7mm Cortical

Length	No. Of Holes
27-2056 = 32mm = 5	



27-2053 "L" Left  
 27-2054 "L" Right

**L PLATES**

Width = 13.5mm/7mm And 14mm/7mm  
 Thickness = 1mm  
 Recommended Screws = 2.7mm Cortical

Length	No. Of Holes
27-2051 = 20mm = 4 = "L" Oblique Left	
27-2052 = 20mm = 4 = "L" Oblique Right	
27-2053 = 19mm = 4 = "L" Left	
27-2054 = 19mm = 4 = "L" Right	

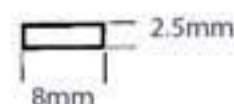
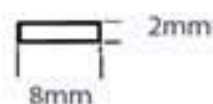


**MULTIPLE FRAGMENT PLATES**

Width = 15mm  
 Thickness = 1.2mm  
 Recommended Screws = 2.7mm Cortical

Length	No. Of Holes
27-2058 = 44mm = 7	





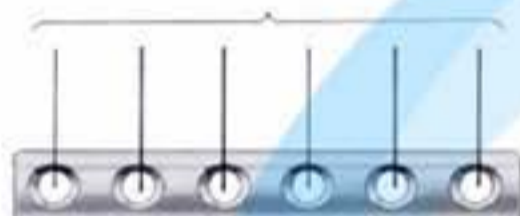
### MINI COMPRESSION PLATES

Width = 8mm  
 Thickness = 2mm/2.5mm  
 Distance Between Holes = 8mm  
 Distance Between Center Holes = 12mm  
 Recommended Screws = 2.7mm Cortical

	Length	No. Of Holes
27-2060	= 20mm	= 2
27-2061	= 36mm	= 4
27-2062	= 44mm	= 5
27-2063	= 52mm	= 6

	Length	No. Of Holes
27-2065	= 60mm	= 7
27-2066	= 68mm	= 8
27-2067	= 76mm	= 9
27-2068	= 84mm	= 10
27-2069	= 100mm	= 12

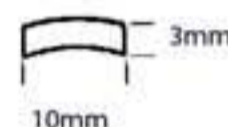
Diameter of holes: 3.3mm



### QUARTER TUBULAT PLATES

Width = 7mm  
 Thickness = 1mm  
 Distance Between Holes = 8mm  
 Recommended Screws = 2.7mm Cortical

	Length	No. Of Holes
27-2071	= 23mm	= 3
27-2072	= 31mm	= 4
27-2073	= 39mm	= 5
27-2074	= 47mm	= 6
27-2075	= 55mm	= 7
27-2076	= 63mm	= 8
27-2077	= 71mm	= 9



### SMALL COMPRESSION PLATES

Width = 10mm  
 Thickness = 3mm  
 Distance Between Holes = 12mm  
 Distance Between Center Holes = 16mm  
 Recommended Screws = 3.5mm And 4mm Cortical

	Length	No. Of Holes
27-2079	= 25mm	= 2
27-2080	= 37mm	= 3
27-2081	= 49mm	= 4
27-2082	= 61mm	= 5
27-2083	= 73mm	= 6
27-2084	= 85mm	= 7
27-2085	= 97mm	= 8
27-2086	= 121mm	= 10
27-2087	= 145mm	= 12

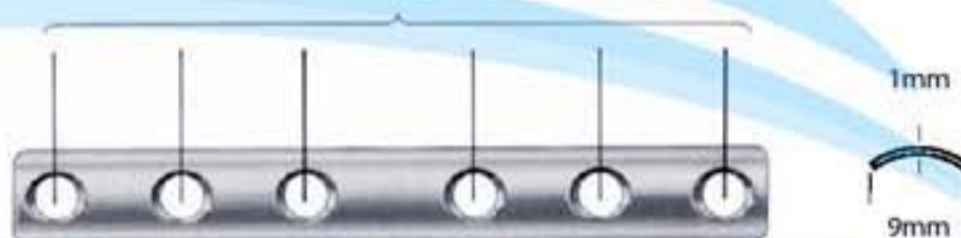
Diameter of holes: 4.1mm



### CLOVERLEAF PLATES

Width = 36mm/15mm  
 Thickness = 1.2mm  
 Recommended Screws  
 Head = 3.5mm Cancellous  
 Shaft = 4.5mm Cortical

	Length	No. Of Holes
27-2089	= 88mm	= 3
27-2090	= 105mm	= 4

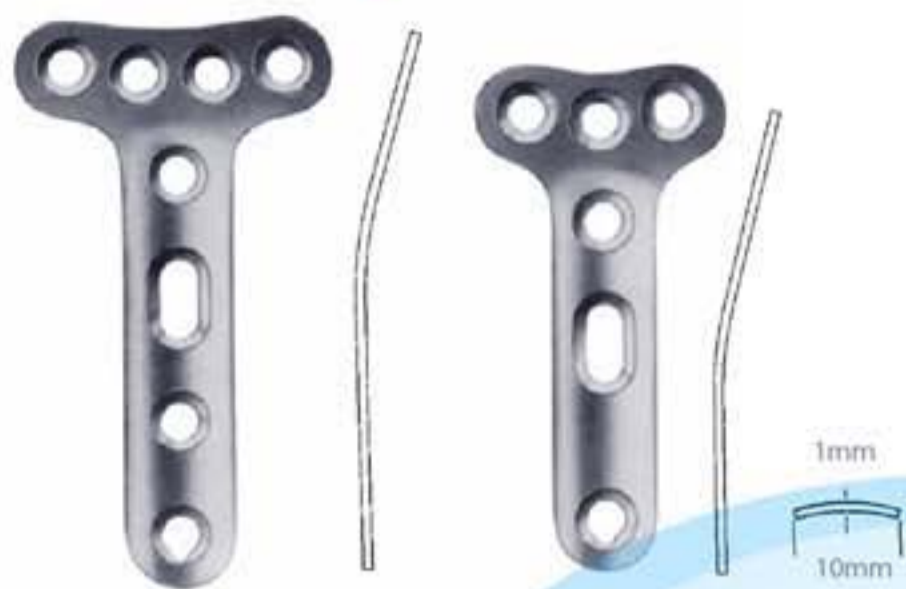


### ONE - THIRD TUBULAR PLATES

Width = 9mm  
 Thickness = 1mm  
 Distance Between Holes = 12mm  
 Distance Between Center Holes = 16mm  
 Recommended Screws = 3.5mm Cortical  
 4mm Cancellous

	Length	No. Of Holes
27-2092	= 25mm	= 2
27-2093	= 37mm	= 3
27-2094	= 49mm	= 4
27-2095	= 61mm	= 5
27-2096	= 73mm	= 6
27-2097	= 85mm	= 7
27-2098	= 97mm	= 8





**SMALL T - PLATES**

Width = 10mm  
 Thickness = 1.2mm  
 Recommended Screws = 3.5mm Cortical

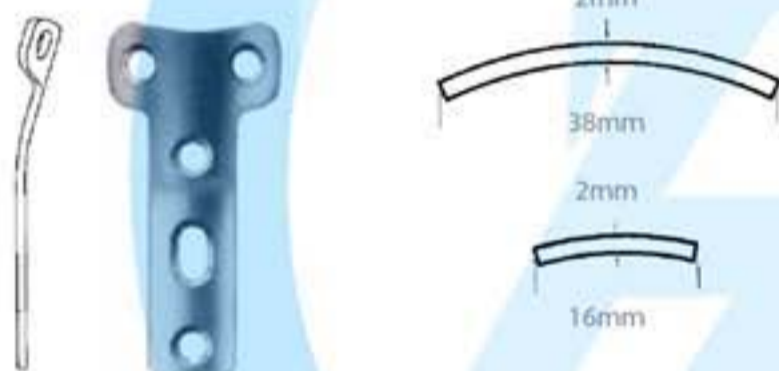
	Length	No. Of Holes
27-2100	= 45mm	= 3 x 3
27-2101	= 58mm	= 4 x 4
27-2102	= 66mm	= 3 x 5
27-2103	= 78mm	= 4 x 6



**SMALL T - PLATES OBLIQUE**

Width = 10mm  
 Thickness = 1.5mm  
 Recommended Screws = 3.5mm Cortical

	Length	No. Of Holes
27-2105	= 54mm	= 3 x 3
27-2106	= 75mm	= 3 x 5



**T - PLATES**

Width = 38mm/17mm  
 Thickness = 2mm  
 Recommended Screws = 4.5mm Cortical

	Length	No. Of Holes
27-2108	= 68mm	= 3
27-2109	= 84mm	= 4
27-2110	= 105mm	= 5
27-2111	= 116mm	= 6
27-2112	= 148mm	= 8



**SPOON PLATES**

Width = 33mm/16mm  
 Thickness = 2mm  
 Recommended Screws = 4.5mm Cortical

	Length	No. Of Holes
27-2114	= 100mm	= 5
27-2115	= 120mm	= 6



**T - BUTTRESS PLATES**

Width = 40mm/16mm  
 Thickness = 2mm  
 Recommended Screws = 4.5mm Cortical

	Length	No. Of Holes
27-2117	= 80mm	= 4
27-2118	= 103mm	= 5
27-2119	= 116mm	= 6



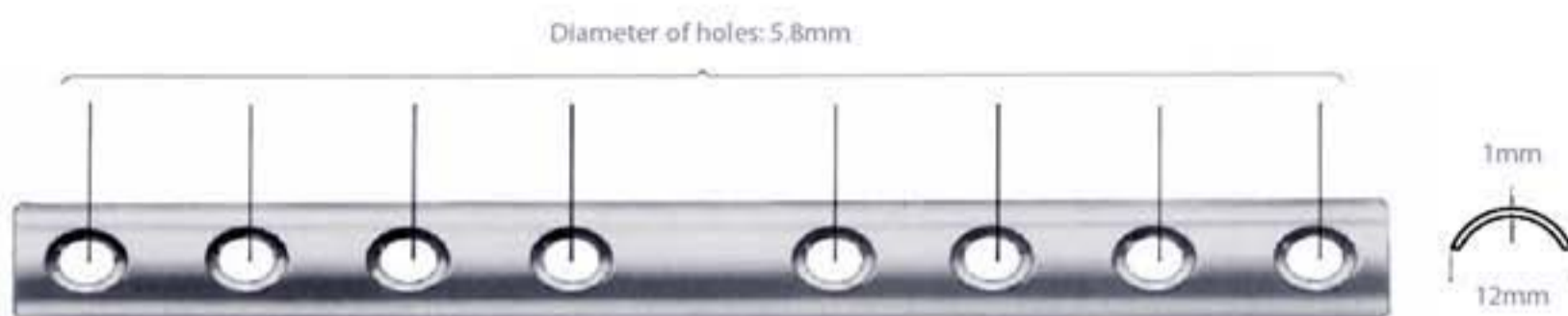
27-2121 Left  
 27-2122 Right

**L - BUTTRESS PLATES**

Width = 34mm/16mm  
 Thickness = 2mm  
 Recommended Screws = 4.5mm Cortical

	Length	No. Of Holes
27-2121	= 87mm	= 4 = Left
27-2122	= 87mm	= 4 = Right





**SEMI - TUBULAR PLATES**

Width = 12mm  
 Thickness = 1mm  
 Distance Between Holes = 16mm  
 Distance Between Center Holes = 26mm  
 Recommended Screws:  
 4.5mm Cortical  
 4.5mm Malleolar

	Length	No. Of Holes
27-2124	= 39mm	= 2
27-2125	= 55mm	= 3
27-2126	= 71mm	= 4
27-2127	= 87mm	= 5
27-2128	= 103mm	= 6
27-2129	= 119mm	= 7
27-2130	= 135mm	= 8
27-2131	= 151mm	= 9
27-2132	= 167mm	= 10
27-2133	= 183mm	= 11
27-2134	= 199mm	= 12



**NARROW COMPRESSION PLATES**

Width = 12mm  
 Thickness = 3.8mm  
 Distance Between Holes = 16mm  
 Distance Between Center Holes = 25mm  
 Recommended Screws:  
 4.5mm Cortical  
 4.5mm Malleolar  
 4.5mm Cancellous

	Length	No. Of Holes
27-2136	= 39mm	= 2
27-2137	= 55mm	= 3
27-2138	= 71mm	= 4
27-2139	= 87mm	= 5
27-2140	= 103mm	= 6
27-2141	= 119mm	= 7
27-2142	= 135mm	= 8
27-2143	= 151mm	= 9
27-2144	= 167mm	= 10
27-2145	= 183mm	= 11
27-2146	= 199mm	= 12
27-2147	= 215mm	= 13
27-2148	= 231mm	= 14
27-2149	= 247mm	= 15
27-2150	= 263mm	= 16



Diameter of holes: 4.8mm



**BROAD COMPRESSION PLATES**

Width = 16mm  
 Thickness = 4.5mm  
 Distance Between Holes = 16mm  
 Distance Between Center Holes = 25mm  
 Recommended Screws:  
 4.5mm Cortical  
 4.5mm Malleolar  
 4.5mm Cancellous

	Length	No. Of Holes
27-2152	= 103mm	= 6
27-2153	= 119mm	= 7
27-2154	= 135mm	= 8
27-2155	= 151mm	= 9
27-2156	= 167mm	= 10
27-2157	= 183mm	= 11
27-2158	= 199mm	= 12
27-2159	= 215mm	= 13
27-2160	= 231mm	= 14
27-2161	= 247mm	= 15
27-2162	= 263mm	= 16
27-2163	= 295mm	= 18



# **THE INSTRUMENTS MANUFACTURING COMPANY**

## **AZ WISDOM WISE INDUSTRIES.,**

**Address: Mehar Town, Maralla Road,  
Murad Pur, Sialkot - 51360, PAKISTAN.**

**Contact Person: Mr. Shahzad Tanveer (CEO)**

**Tel No: 0092 52 4261574**

**Mobile/WhatsApp: 0092 321 4746185**

**E-mail: info@az-wisdom.com**

**Website: www.az-wisdom.com**



**AZ-SURGERY**